



User Instruction Manual for:
Rescue Release System
Models: 3500100, 3500101, 3500102

**USER INSTRUCTION MANUAL
RESCUE RELEASE SYSTEM**

This instruction is intended to meet the Manufacturer's Instructions and should be used as part of an employee training program as required by OSHA.

WARNING: *This product is part of an emergency rescue system. The user must follow manufacturer's instructions for each part of the system. These instructions must be provided to the user of this equipment. The user must read and understand these instructions before using this equipment. Manufacturer's instructions must be followed for proper use and maintenance of this equipment. Alterations or misuse of this equipment, or failure to follow instructions, may result in serious injury or death.*

WARNING: *Always wear a hard hat when using the Rescue Release System*

IMPORTANT: *If you have questions regarding the use, care, or suitability of this equipment for your application, contact Capital Safety.*

DESCRIPTION:

Figure 1 illustrates the Rescue Release System. The system is comprised of an Extension Pole (1A) and attachable Rescue Release Attachment (1B). In the event of a fall, the Rescue Release Attachment can be extended on the end of the Extension Pole to control the Descent/Fall Arrest Engagement Knob on an Ultra-Lok RSQ Controlled Descent SRL.

Figure 1 - Rescue Release System

The diagram shows two parts: (A) a long, thin extension pole with a handle at one end, and (B) a U-shaped attachment with a pin that fits into the end of the pole. To the right is a photograph of a worker in safety gear pulling on a rope attached to a worker suspended in the air, demonstrating the system's use.

A	2104523: 6'-12' (1.8-3.7 m) Extension Pole 2104524: 8'-16' (2.4-4.9 m) Extension Pole
B	3500100: Rescue Release Attachment
A & B	3500101: 3500100 with 2104523 Ext. Pole 3500102: 3500100 with 2104524 Ext. Pole

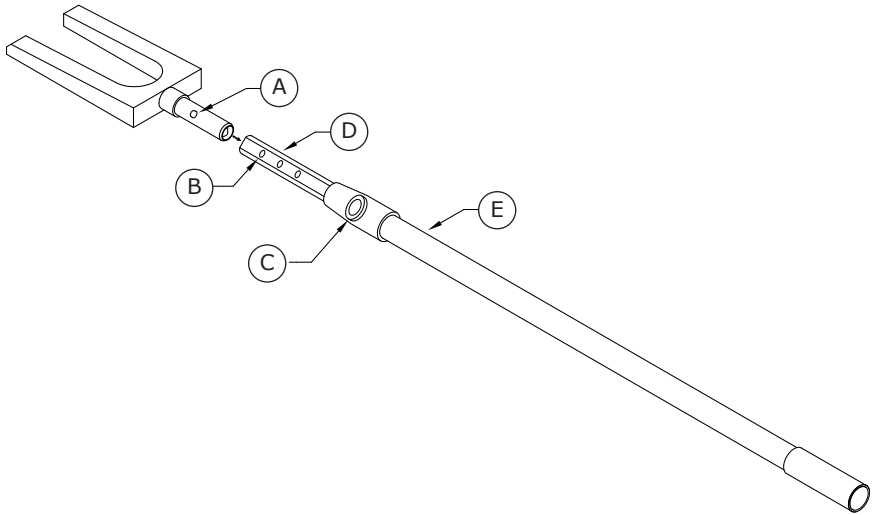
1.0 APPLICATIONS

1.1 PURPOSE: The Rescue Release System is designed for use with the Ultra-Lok RSQ Controlled Descent SRL in Assisted Rescue applications. In emergency situations, the Rescue Release System can be used to switch the RSQ SRL in and out of Descent Mode so the victim can be lowered to safety (see Figure 1).

2.0 ASSEMBLY AND ADJUSTMENT

- 2.1 ATTACHING THE RESCUE RELEASE ATTACHMENT:** To attach the Rescue Release Attachment on the Extension Pole (Figure 2), depress the Snap Buttons (2A) on each side of the tool and slide the end of the attachment into the open end of the Extension Pole until the Snap Buttons lock into the Snap Holes (2B) in the Aluminum Inner Tube (2D).
- 2.2 REMOVING THE RESCUE RELEASE ATTACHMENT:** To remove the Rescue Release Attachment (Figure 2) from the Extension Pole, depress the Snap Buttons (2A) on each side of the tool and pull the attachment out of the Extension Pole.
- 2.3 ADJUSTING THE EXTENSION POLE LENGTH:** To adjust the length of the Extension Pole (Figure 2), press the Adjustment Button (2C) and slide the aluminum Inner Tube (2D) into or out of the fiberglass Outer Tube (2E) until the desired length is achieved. Release the Adjustment Button to lock the Inner Tube in place.

Figure 2 - Assembly and Adjustment



A Snap Buttons **B** Snap Hole **C** Adjustment Button **D** Inner Tube
E Outer Tube

3.0 OPERATION AND USE

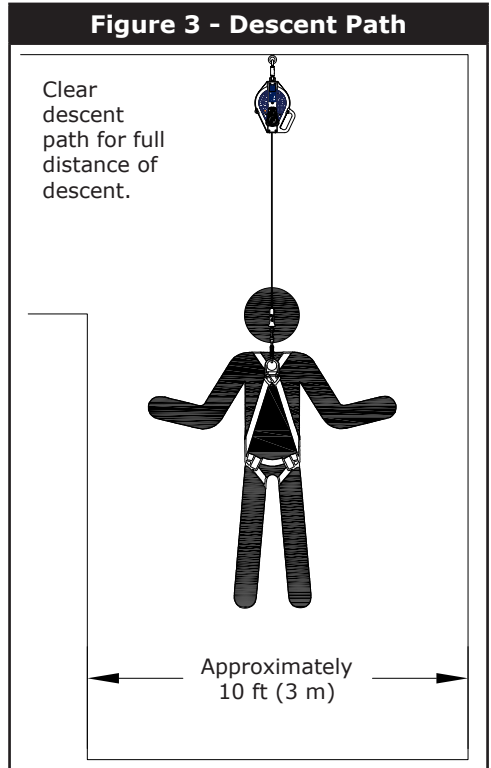
3.1 PLANNING: Prior to executing an Assisted Rescue with the Ultra-Lok RSQ SRL and Rescue Release System, the following factors should be considered:

A. SYSTEM LENGTH:

Make certain the system length is sufficient to reach the desired level. If the wire rope is too short, the descent will stop before the desired level is reached, leaving the worker suspended by the lifeline.

B. DESCENT PATH AND LANDING AREA CLEARANCE:

Your descent path must be unobstructed. The landing area must be clear of obstructions to permit a safe landing (see Figure 3). Failure to provide an unobstructed descent path and landing area may result in serious injury or death.



C. ELECTRICAL POWER LINES: Maintain a minimum clearance of 10 feet (3 m) between the Rescue Release Tool and Electrical Power Lines.

D. WORK AREA: Prior to performing an Assisted Rescue, check and maintain the work area to ensure clear and secure footing to avoid tripping or slipping. Be aware of all people and interferences within the working area of the Rescue Release Tool.

E. PERSONAL FALL PROTECTION: Always use Personal Fall Protection when working in an area with possible fall hazards.

3.2 ASSISTED RESCUE: In emergencies, the Rescue Release Tool can be used on the Ultra-Lok RSQ SRL to perform an assisted rescue and lower the victim to safety. The rescuer can disengage Fall Arrest Mode and start and stop descent by operating the Descent/Fall Arrest Engagement Knob on the SRL with the Rescue Release Tool (see Figure 4):

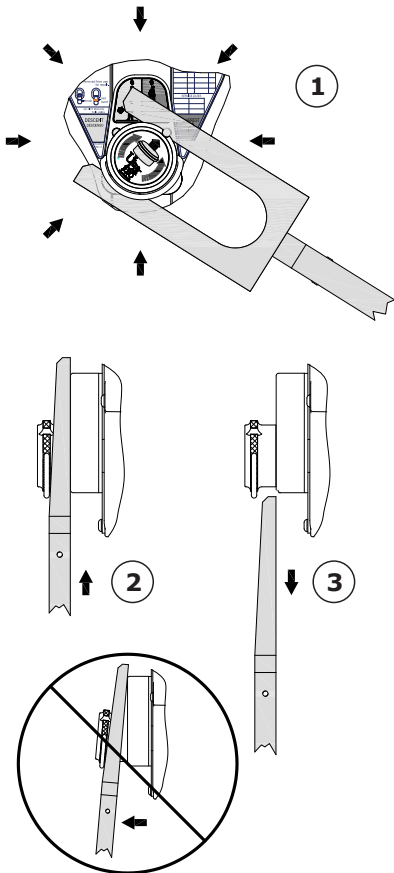
Step 1. Extend the Rescue Release Tool from any direction so the ends of the Release Forks surround the base of the Engagement Knob below the Knurled Ridge and Pull Ring.

Step 2. To disengage Fall Arrest Mode and initiate descent, push forward on the Extension Pole until the Engagement Knob is fully lodged between the Release Forks. Descent will continue as long as the Engagement Knob is fully inserted between the Release Forks.

Step 3. To stop descent, pull the Extension Pole backward until the Engagement Knob re-engages Descent Mode.

IMPORTANT: THE RELEASE FORKS ON THE RESCUE RELEASE TOOL ARE TAPERED TO PUSH THE ENGAGEMENT KNOB STRAIGHT OUT AS THE FORKS ARE PUSHED FORWARD ON THE KNOB. IT IS NOT NECESSARY TO PRY THE KNOB WITH THE EXTENSION POLE. PRYING COULD BREAK OFF THE KNOB.

Figure 4 - Assisted Rescue Operation



1. Insert Forks under Pull Ring and Knurled Ridge on Engagement Knob.
2. Push Pole forward to descend.
3. Pull Pole back to stop descent.

4.0 INSPECTION

- 4.1 BEFORE EACH USE:** Inspect the Rescue Release System per the steps defined in Section 4.3.
- 4.2 ANNUAL INSPECTION:** A competent person, other than the user, must inspect the Rescue Release System at least annually. Record the results of each annual inspection in the Inspection and Maintenance Log (Section 7).
- 4.3 INSPECTION STEPS:** Perform the following steps when inspecting the Rescue Release System:
- Step 1.** Inspect the Extension Pole. The pole must extend and retract freely. The Fiberglass Outer Tube must be free of broken or splintered parts.
 - Step 2.** Inspect the Rescue Release Attachment. The attachment should be free of corrosion, debris, or defects that could impede proper operation of the Ultra-Lok RSQ SRL's Engagement Knob.
 - Step 3.** Inspect the Extension Pole Label (Section 6). The label must be present and fully legible.
- 4.4 DEFECTS:** If inspection or operation reveals a defective condition, remove the Rescue Release System from service and contact an authorized service center for repair.

IMPORTANT: Only Capital Safety, or parties authorized in writing by Capital Safety, may make repairs to this equipment.

5.0 SPECIFICATIONS

5.1 MATERIALS:


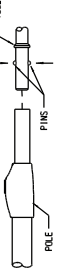
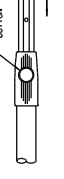
- **Extension Pole:** Fiberglass and Aluminum
- **Rescue Release Attachment:** Aluminum

5.2 EXTENSION POLE REACH:

- **2104523:** 6 -12 ft. (1.8 - 3.7 m)
- **2104524:** 8 -16 ft. (2.4 - 4.9 m)

6.0 LABELING

The following labels must be securely attached to the Extension Pole and must be fully legible:

<p>⚠ WARNING</p> <p>PERSONAL FALL PROTECTION</p> <ul style="list-style-type: none"> - ALWAYS USE PROPER PERSONAL FALL PROTECTION WHEN WORKING IN AN AREA OF POSSIBLE FALL HAZARDS <p>BEWARE ATTERPILING AND POLE OPERATIONS</p> <ul style="list-style-type: none"> - CHECK AND MAINTAIN WORK AREA FOR OBSTACLES, TRIPPING, AND SLIPPING - CHECK AND MAINTAIN AWARENESS OF ALL WORKING AREA OF THE EXTENSION POLE <p>AVOID ELECTRICAL POWER LINES</p> <ul style="list-style-type: none"> - MAINTAIN A MINIMUM CLEARANCE OF 10 FEET (AND POLE ATTACHMENTS) AND ELECTRICAL POWER LINES 	<p>⚠ WARNING</p> <p>MANUFACTURER'S INSTRUCTIONS SUPPLIED WITH THIS PRODUCT MUST BE READ AND FOLLOWED TO AVOID INJURY OR DEATH. ALWAYS READ AND FOLLOW THE INSTRUCTIONS FOR PROPER USE, INSPECTION AND MAINTENANCE. ALWAYS USE THE PRODUCT AS INTENDED. NEVER ALTERATION OR MISUSE OF THIS PRODUCT, OR FAILURE TO FOLLOW THE INSTRUCTIONS, WILL VOID THE WARRANTY. ALWAYS USE THE PRODUCT IN ACCORDANCE WITH USER INSTRUCTION MANUAL. MAINTAIN CONTROL OF POLE AT ALL TIMES. KEEP FEET AND HANDS AWAY FROM THE PRODUCT. ALWAYS WEAR SAFETY GLASSES WHEN USING THIS PRODUCT. USE ONLY WITH DBI PILE TOOLS.</p> <p>TO INSTALL TOOL:</p> <ul style="list-style-type: none"> - INSERT TOOL ALONG WITH HOLES AND SLIDE INTO PLACE. ENSURE PINS LOCK INTO PLACE. 	<p>DBI SALA</p> <p>First-Man-Up™ System</p> <p>EXTENSION POLE: MODEL 2104523 6-12 FT LENGTH MODEL 2104524 8-16 FT LENGTH</p> <p>TO ADJUST POLE LENGTH:</p> <ul style="list-style-type: none"> - RELEASE BOTTOM ESCORTING TUBE TO LOCK INTO PLACE. 	<p>SERIAL NO. XXXXXX</p> <p>INSPECTION LOG</p> <table border="1"> <tr> <td>XX</td> <td>XX</td> <td>XX</td> <td>XX</td> <td>XX</td> <td>YEAR</td> </tr> <tr> <td> </td> <td> </td> <td> </td> <td> </td> <td> </td> <td> </td> </tr> <tr> <td> </td> <td> </td> <td> </td> <td> </td> <td> </td> <td> </td> </tr> <tr> <td> </td> <td> </td> <td> </td> <td> </td> <td> </td> <td> </td> </tr> <tr> <td> </td> <td> </td> <td> </td> <td> </td> <td> </td> <td> </td> </tr> <tr> <td> </td> <td> </td> <td> </td> <td> </td> <td> </td> <td> </td> </tr> <tr> <td> </td> <td> </td> <td> </td> <td> </td> <td> </td> <td> </td> </tr> <tr> <td> </td> <td> </td> <td> </td> <td> </td> <td> </td> <td> </td> </tr> <tr> <td> </td> <td> </td> <td> </td> <td> </td> <td> </td> <td> </td> </tr> <tr> <td> </td> <td> </td> <td> </td> <td> </td> <td> </td> <td> </td> </tr> </table> <p>www.capitalcitydbi.com (800) 398-4146 U.S. PATENT NO. 5,362,739</p>	XX	XX	XX	XX	XX	YEAR																																																						
XX	XX	XX	XX	XX	YEAR																																																										

7.0 INSPECTION AND MAINTENANCE LOG

SERIAL NUMBER: _____

MODEL NUMBER: _____

DATE PURCHASED: _____ DATE FIRST USED: _____

INSPECTION DATE	INSPECTION ITEMS NOTED	CORRECTIVE ACTION	MAINTENANCE PERFORMED
Approved By: _____			
Approved By: _____			
Approved By: _____			
Approved By: _____			
Approved By: _____			
Approved By: _____			
Approved By: _____			
Approved By: _____			
Approved By: _____			
Approved By: _____			
Approved By: _____			
Approved By: _____			
Approved By: _____			
Approved By: _____			
Approved By: _____			
Approved By: _____			
Approved By: _____			
Approved By: _____			
Approved By: _____			
Approved By: _____			
Approved By: _____			
Approved By: _____			
Approved By: _____			
Approved By: _____			
Approved By: _____			
Approved By: _____			
Approved By: _____			
Approved By: _____			

WARRANTY

Equipment offered by DBI-SALA is warranted against factory defects in workmanship and materials for a period of two years from date of installation or use by the owner, provided that this period shall not exceed two years from date of shipment. Upon notice in writing, DBI-SALA will promptly repair or replace all defective items. DBI-SALA reserves the right to elect to have any defective item returned to its plant for inspection before making a repair or replacement. This warranty does not cover equipment damages resulting from abuse, damage in transit, or other damage beyond the control of DBI-SALA. This warranty applies only to the original purchaser and is the only one applicable to our products, and is in lieu of all other warranties, expressed or implied.



A Capital Safety Company

CSG USA

3833 Sala Way
Red Wing, MN 55066-5005
Toll Free: 800.328.6146
Phone: 651.388.8282
Fax: 651.388.5065
solutions@capitalsafety.com

CSG EMEA (France)

Le Broc Center
Z.I. 1ère Avenue-5600 M
BP 15 • 06511 Carros Cedex
Phone: +33 (0)4 97 10 00 10
Fax: +33 (0)4 93 08 79 70
information@capitalsafety.com
Germany:
Phone: +49 (0) 2634 8052
Fax: +49 (0) 2634 8055

CSG Canada Ltd.

260 Export Boulevard
Mississauga, Ontario L5S 1Y9
Canada
Toll Free: 800.387.7484
Phone: 905.795.9333
Fax: 905.795.8777
sales.ca@capitalsafety.com

CSG Asia Pte Ltd.

No. 6, Tuas Avenue 18
Singapore 638892
Phone: +65 6558 7758
Fax: +65 6558 7058
inquiry@capitalsafety.com

CSG Northern Europe Ltd.

7 Christleton Court • Stuart Rd.
Manor Park • Runcorn
Cheshire WA7 1ST • UK
Phone: +44 (0) 1928 571324
Fax: +44 (0) 1928 571325
csgne@csgne.co.uk

CSG (Aust) Pty Ltd.

20 Fariola Street • Sliverwater
Sydney, NSW 2128
Australia
Phone: +61 (2) 9748 0335
Fax: +61 (2) 9748 0336
sales@capitalsafety.com.au

www.capitalsafety.com



Certificate No. FM 39709