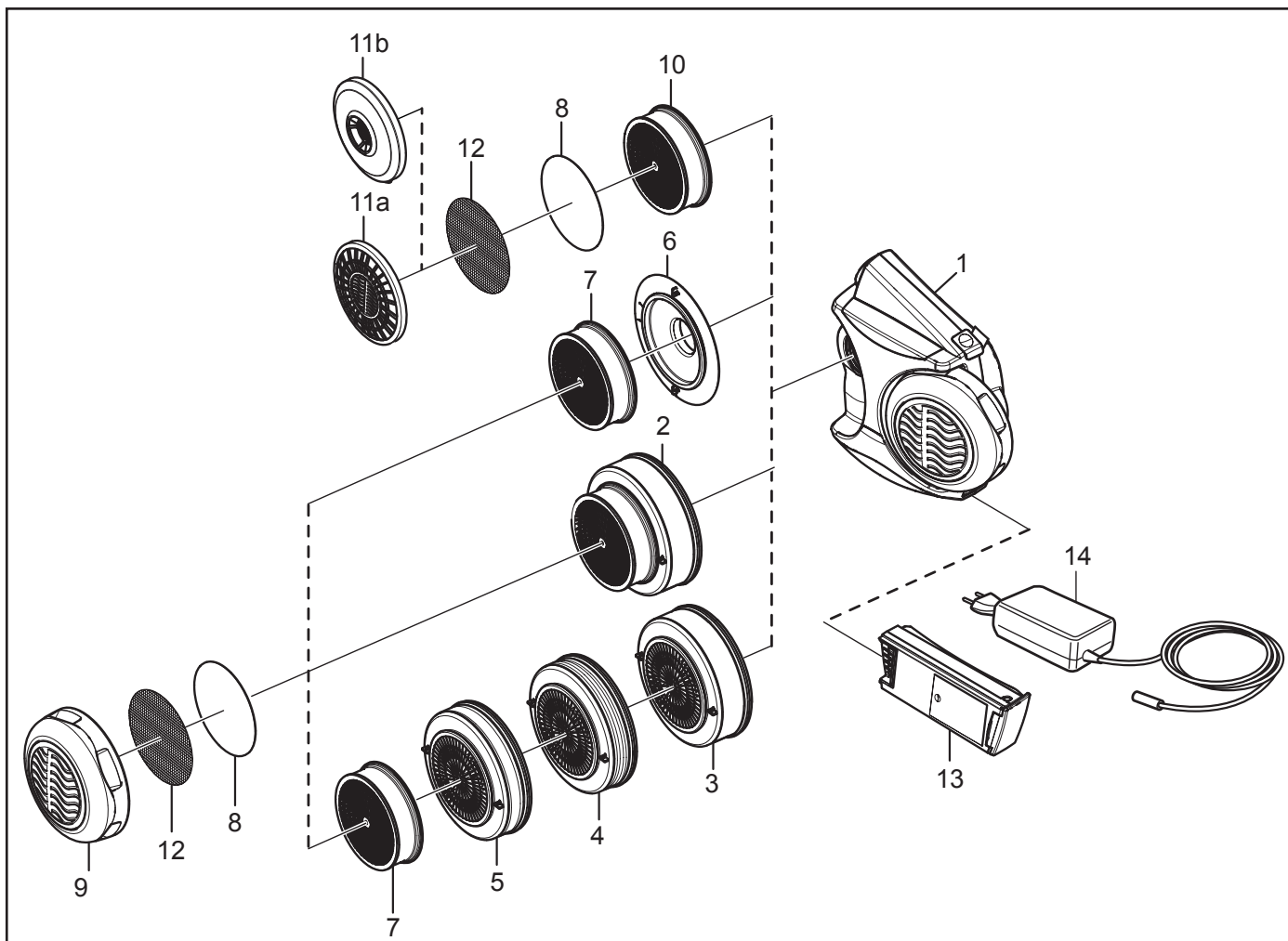




## SR 500 EX

SYSTEM OVERVIEW

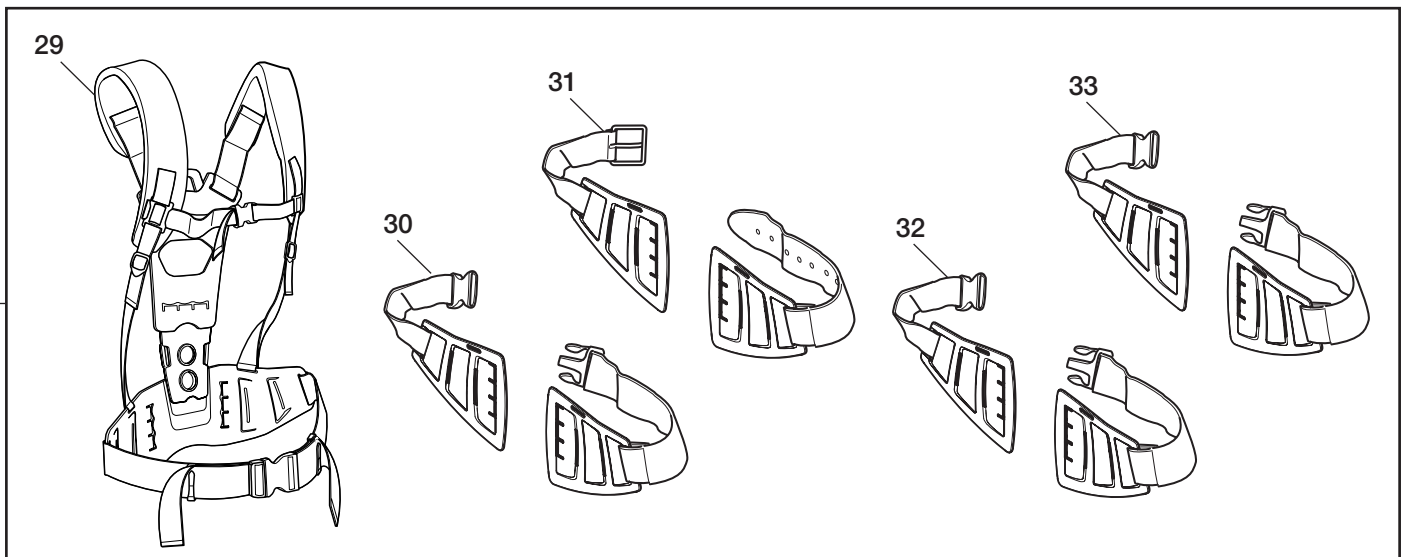
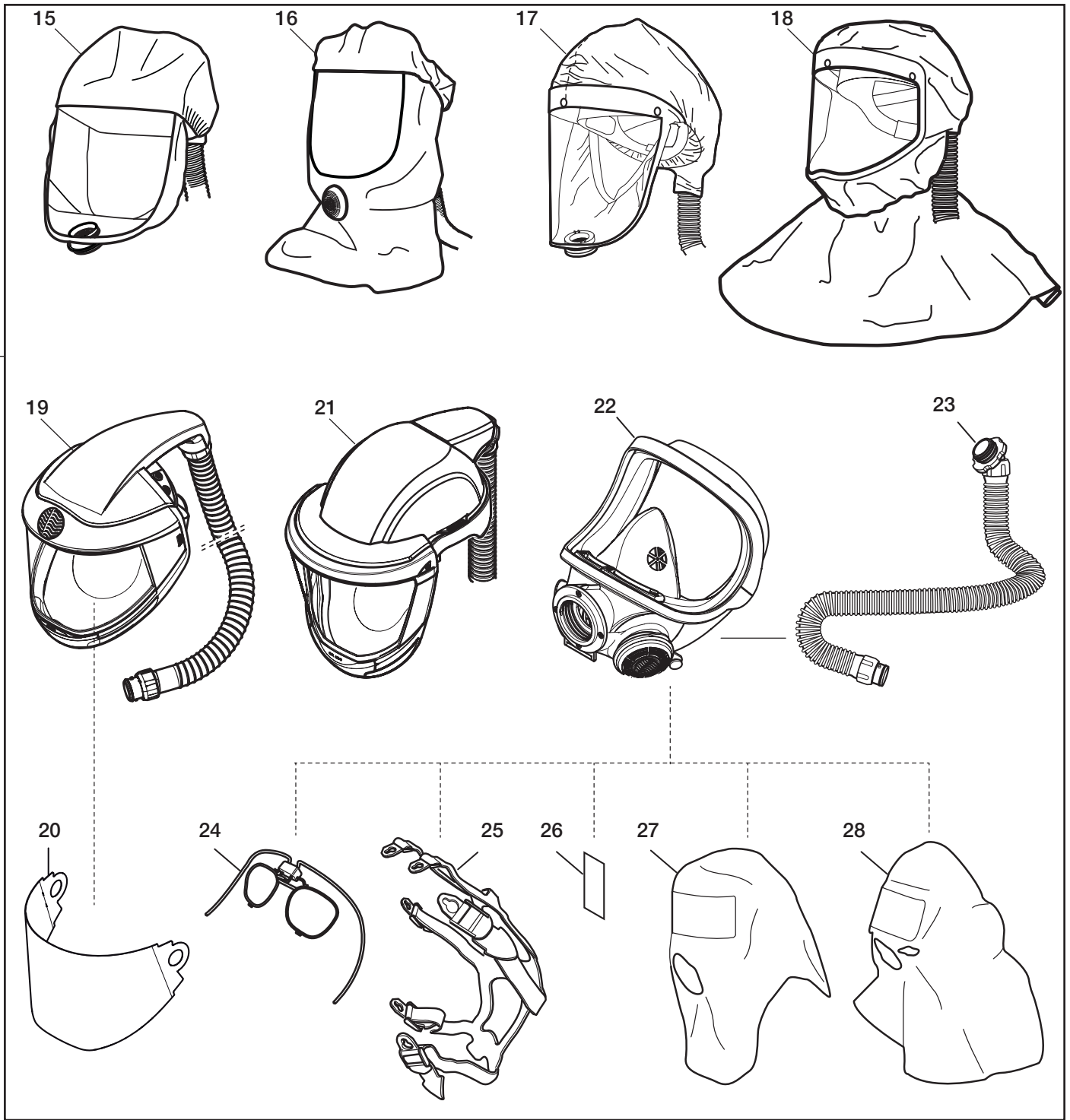


No.	Description	Name	Art No.	ATEX code
1.	Fan unit	SR 500 EX	R06-2001	
2.	Combined filter A1BE2K1-Hg-P3 R	SR 599	H02-7312	
3.	Gas filter A1BE2K1	SR 597	H02-7212	
4.	Gas filter ABE1	SR 515	H02-7112	
5.	Gas filter A2	SR 518	H02-7012	
6.	Filter adapter	SR 511	R06-0105	
7.	Particle filter P3 R	SR 510	H02-1312	
8.	Pre-filter	SR 221	H02-0312	
9.	Pre-filter holder	SR 512 EX	R06-2023	
10.	Particle filter P3 R	SR 710	H02-1512	
11a.	Pre-filter holder	SR 5153	R01-0604	
11b.	Pre-filter holder		R01-0605	A)
12.	Steel net disc	SR 336	T01-2001	
13.	Battery	SR 501 EX	R06-2002	
14.	Battery charger	SR 513 EX	R06-2003	
15.	Hood	SR 520 S/M	H06-0312	B)
	Hood	SR 520 M/L	H06-0212	B)
16.	Hood	SR 530	H06-0412	B)
17.	Hood	SR 562	H06-5112	B)
18.	Hood	SR 561	H06-5012	B)
19.	Face shield	SR 540 EX	H06-6012	A)
20.	Alt. Visor	SR 545	T06-0502	
21.	Helmet with visor	SR 580	H06-8012	A)

No.	Description	Name	Art No.	ATEX code
22.	Full face mask laminated glass visor	SR 200	H01-1312	B)
	Full face mask PC-visor	SR 200	H01-1212	A)
23.	Breathing hose PU	SR 550	T01-1216	
	Breathing hose rubber	SR 551	T01-1218	
24.	Spectacle frame for corrective lenses	SR 341	T01-1201	
25.	Head harness rubber	SR 340	T01-1215	
26.	Name label	SR 368	R09-0101	
27.	Protective hood	SR 64	H09-0301	
28.	Chemical hood	SR 345	H09-1012	
29.	Harness EX	SR 552 EX	T06-2002	
30.	Belt cotton EX	SR 508 EX	R06-2148	
31.	Belt leather EX	SR 503 EX	T06-2149	
32.	Belt rubber EX	SR 504 EX	T06-2150	
33.	Belt PVC EX		T06-2151	

A) II 2 G Ex ib IIA T3 Gb / II 2 D Ex ib IIIC T195°C Db

B) II 2 G Ex ib IIB T3 Gb / II 2 D Ex ib IIIC T195°C Db



The fan unit SR 500 EX is manufactured within a quality management system accepted by  
Notified Body 0194: INSPEC International Ltd.  
Certification Services, 56 Leslie Hough way,  
Salford, M6 6 AJ, England



**Sundström Safety AB**  
SE-341 50 Lagan • Sweden  
Tel: +46 10 484 87 00  
info@srsafety.se • www.srsafety.com