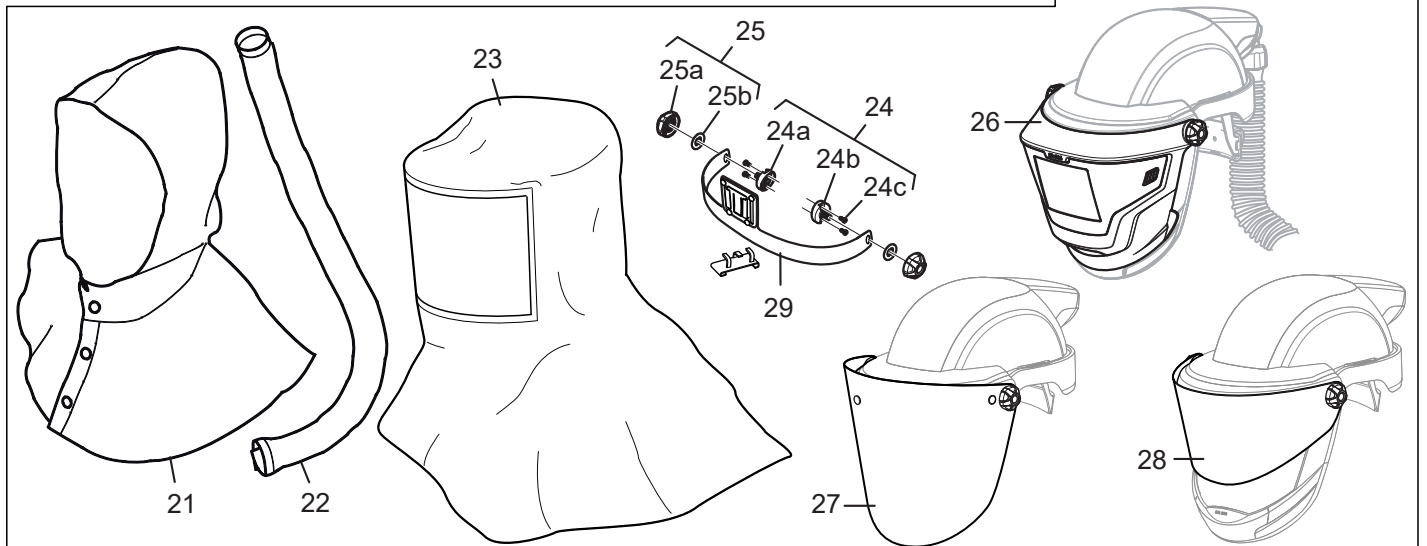
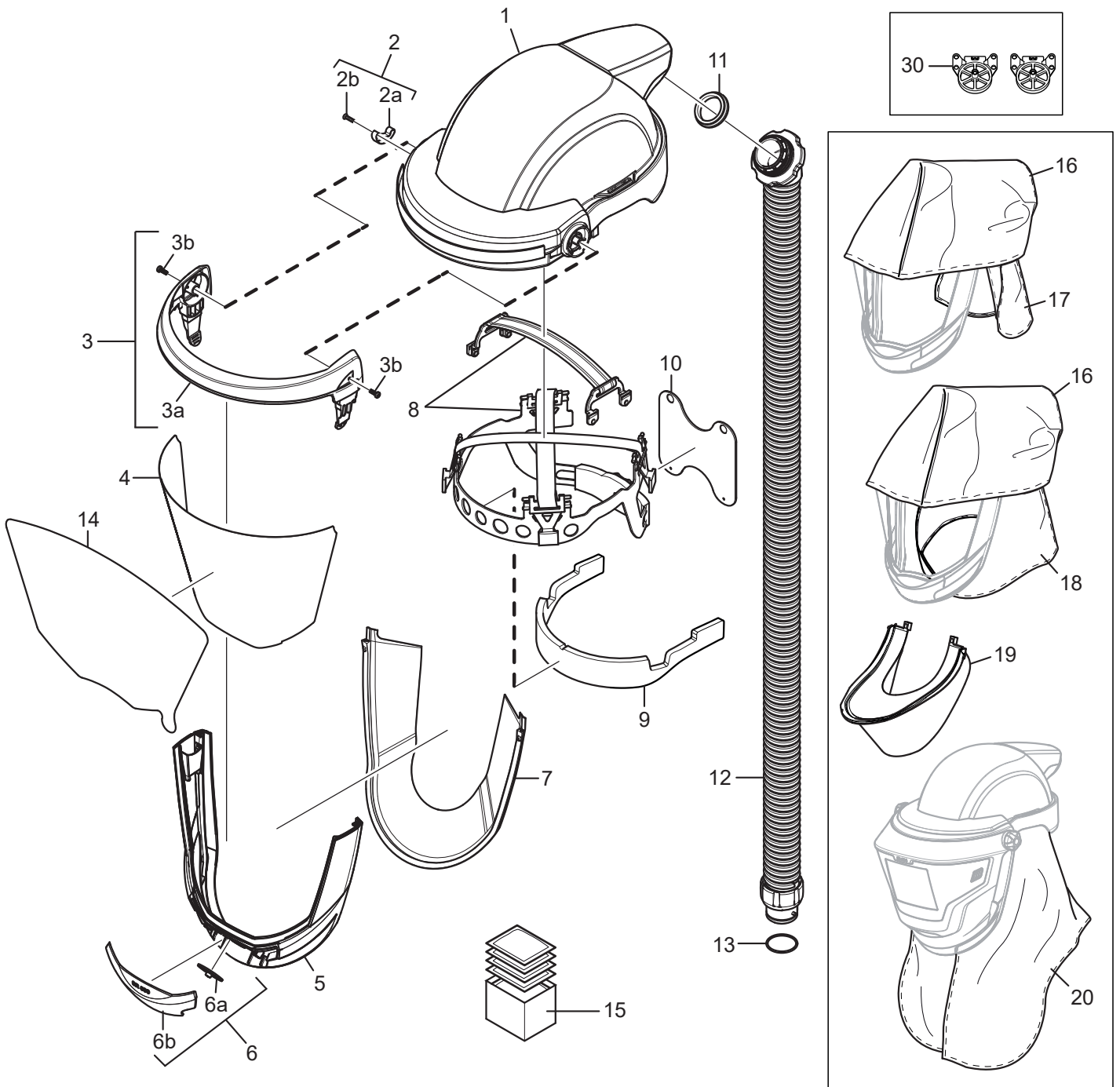


SR 580

EN

Spare parts / Accessories



No.	Description	Ordering No.
1.	Helmet, incl. air duct	R06-0801
2.	Leaf spring with screw	R06-0806
2a.	Leaf spring	-
2b.	Screw	-
3.	Upper frame set	R06-0802
3a.	Upper frame	-
3b.	Screw	-
4.	Visor, PC	R06-0808
5.	Lower frame set	R06-0803
6.	Set of valves	R06-0807
6a.	Membrane	-
6b.	Cover exhalation valve	-
7.	Face seal	R06-0805
8.	Head harness	R06-0804
9.	Sweatband	R06-0809
10.	Neck comfort band	T06-0803
11.	Gasket	R01-1205
12.	Breathing hose	R06-0810
13.	O-ring	R06-0202
14.	Peel of set SR 582	T06-0801
15.	Cleaning wipes. 50/box	H09-0401
16.	Heat protection, helmet	R06-0813
17.	Heat protection, neck	R06-0814
18.	Heat protection, neck and throat	R06-0815
19.	Face seal	T06-8012
20.	Neck and chest protection	T06-8011
21.	Protective hood, SR 59018	T06-4014
22.	Protective hose for the breathing hose Hose protection, PE	T06-4016 T06-0121
23.	Tyvek Hood SR 586	T06-0806
24.	Adapter R + L	R06-0820
24a.	Adapter R x1	-
24b.	Adapter L x1	-
24c.	Screw x4	-
25.	Knob complete	R06-0821
25a.	Knob x2	-
25b.	Washer x2	-
26.	Welding shield SR 584 <i>Note! R06-0820 and R06-0821 are required</i>	T06-8010
27.	Gold plated visor, EN 5, SR 587 Gold plated visor, EN 4, SR 587 <i>Note! R06-0820 and R06-0821 are required</i>	R06-0824 R06-0829
28.	Visor 2/3, EN 3, SR 588-1 Visor 2/3, EN 5, SR 588-2 <i>Note! R06-0820 and R06-0821 are required</i>	R06-0825 R06-0826
29.	Lamp bracket	R06-0828
30.	Bottom board for earmuffs	R06-0827